

# HARRINGTON STORZ SPECIFICATION SHEET

## H30E-50-40NPTM/Cap

All Aluminum

- 30° ELBOW, 4" NPT MALE
- 5" STORZ with Storz-Lok
- 5" STORZ CAP attached with SS Aircraft Cable

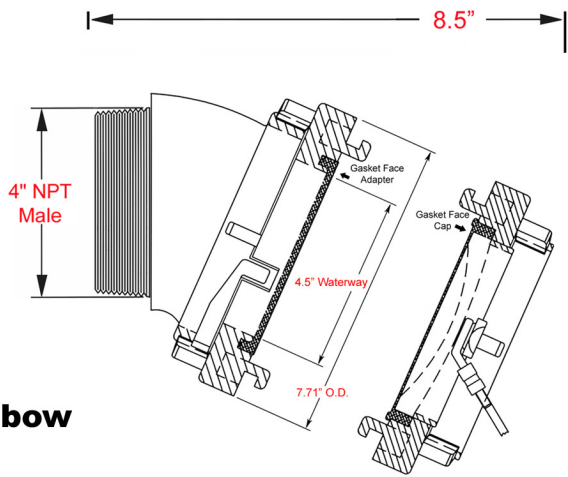
- Hard Anodized 6061-T6 Aluminum Storz
- Hard Anodized & Powder Coated 356 Aluminum Elbow
- 250 psi working pressure

Specify HARRINGTON STORZ: H30E-50-40NPTM/Cap



2630 West 21st Street  
Erie, PA 16506

ph. 800-553-0078  
info@harrinc.com



H30E-50-40NPTM/Cap		
Elbow 30°, 4" NPT Male x 5" Storz with Storz Cap attached with stainless steel aircraft cable		
Date: 01/01/23	Weight: 9 lbs.	Specification / Data Sheet
Not to scale	NFPA 1963 COMPLIANT	30° NPT