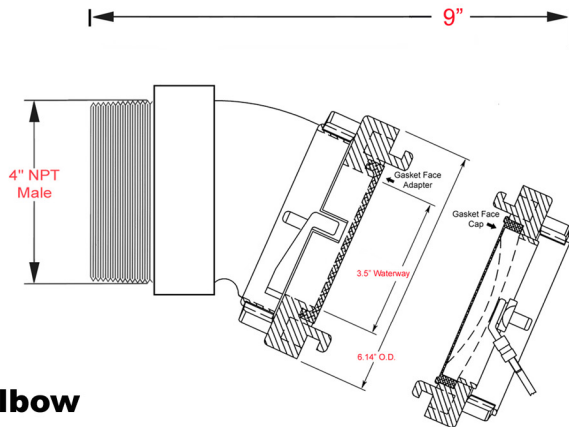


# H30E-40-40NPTM/Cap

All Aluminum

- 30° ELBOW, 4" NPT MALE
- 4" STORZ with Storz-Lok
- 4" STORZ CAP attached with SS Aircraft Cable



- Hard Anodized 6061-T6 Aluminum Storz & NPT
- Hard Anodized & Powder Coated 356 Aluminum Elbow
- 250 psi working pressure

Specify HARRINGTON STORZ: H30E-40-40NPTM/Cap



**Harrington**  
STORZ CONNECT

2630 West 21st Street  
Erie, PA 16506

ph. 800-553-0078  
info@harrinc.com



## H30E-40-40NPTM/Cap

Elbow 30°, 4" NPT Male x 4" Storz with Storz Cap  
attached with stainless steel aircraft cable

Date: 01/01/23

Weight: 8 lbs.

Specification / Data Sheet

Not to scale



**NFPA 1963 COMPLIANT**

30° NPT